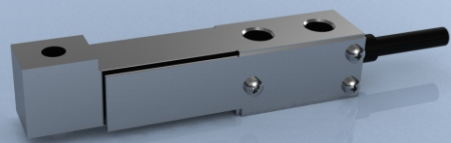




TYPE: BF2



BF2 Stainless Steel Low Range Dual Cantilever Beam Load Cell

Description

The LCM range of Pioden transducers has been widely used for many years. The BF2 is constructed from stainless steel and is available in ranges between 2kg and 50kg.

The BF2 offers an excellent size/performance ratio at a competitive price. The stainless steel dual cantilever design enables the rejection of off-centre forces, making it the first choice in a number of material testing and weighing applications.

LCM Systems can supply the BF2 on its own or integrated with any of our range of strain gauge based instrumentation.

Features

- Ranges from 2kgf to 50kgf
- Small physical size
- 1000ohm bridge resistance
- Stainless steel construction
- Sealed to IP65

Specification

| | |
|--------------------------------|------------------------------------------------------------------------------------|
| Rated load (kgf) | 2, 5, 10, 30, 50 |
| Maximum overload range | 200% with $\pm 1\%$ calibration shift |
| Output sensitivity | 2mV/V nominally |
| Zero offset | $<\pm 2\%$ of full scale output (FSO) |
| Accuracy | $<\pm 0.1\%$ of FSO |
| Repeatability | $<\pm 0.1\%$ of FSO |
| Excitation voltage | 10vdc recommended, 15vdc maximum |
| Bridge resistance | 1000 Ω standard |
| Insulation resistance | $>1000M\Omega$ @ 250vdc |
| Operating temperature range | -20 to +70°C |
| Compensated temperature range | -10 to +60°C |
| Zero temperature coefficient | $<\pm 0.03\%$ of FSO/°C ($<\pm 0.01\%$ FSO/°C optional) |
| Span temperature coefficient | $<\pm 0.03\%$ of FSO/°C ($<\pm 0.01\%$ FSO/°C optional) |
| Environmental protection level | IP65 |
| Connection type | 2 metres 4 core screened PVC cable |
| Wiring connections | +ve supply: Red -ve supply: Blue +ve signal: Green -ve signal: Yellow |

Typical Applications

- Material test machines
- Rheometer measurement
- Spring characteristic profiling
- Friction testing switch contact

Available Options

- Special ranges and capacities
- Special electrical connections
- Can be manufactured to specific dimensions
- TEDS option (when used with TR150 handheld display)
- Other special versions available



SCIGATE AUTOMATION (S) PTE LTD

No 1 Bukit Batok Street 22 #01-01 Singapore 659592

Tel: (65) 6561 0488

Fax: (65) 6561 0588

Email: sales@scigate.com.sg

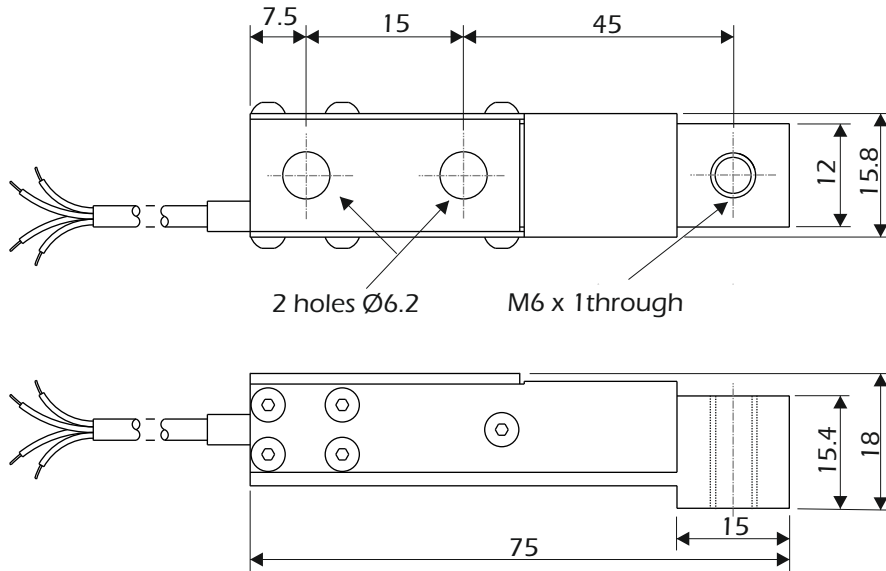
Web: <https://scigate.com.sg/>

Business Hours: Monday - Friday 8:30AM - 6:15PM

TYPE: BF2

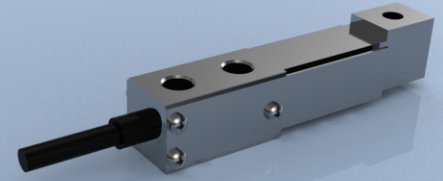
BF2 Stainless Steel Low Range Dual Cantilever Beam Load Cell

Dimensions



All dimensions are in mm

| Rating (kgf) | Part Number | Weight (g) | Resolution (kgf) |
|--------------|-------------|------------|------------------|
| 2 | BF20K002 | 80 | 0.002 |
| 5 | BF20K005 | 80 | 0.005 |
| 10 | BF20K010 | 80 | 0.01 |
| 30 | BF20K030 | 80 | 0.02 |
| 50 | BF20K050 | 80 | 0.05 |



www.lcmsystems.com

LCM Systems Ltd

Unit 15, Newport Business Park, Barry Way
Newport, Isle of Wight PO30 5GY UK
Tel: +44 (0)1983 249264
sales@lcmsystems.com
www.lcmsystems.com

LCM Systems (România)

Strada Ștefan Cel Mare 26a,
Tunari, cod.077180, Ilfov, România
Tel: +40 (0)77 4641899
ro@lcmsystems.com
www.lcmsystems.ro

Due to continual product development, LCM Systems Ltd reserves the right to alter product specifications without prior notice.

Issue No. 2

Issue date: 02/11/2015
APPROVED
(unapproved if printed)